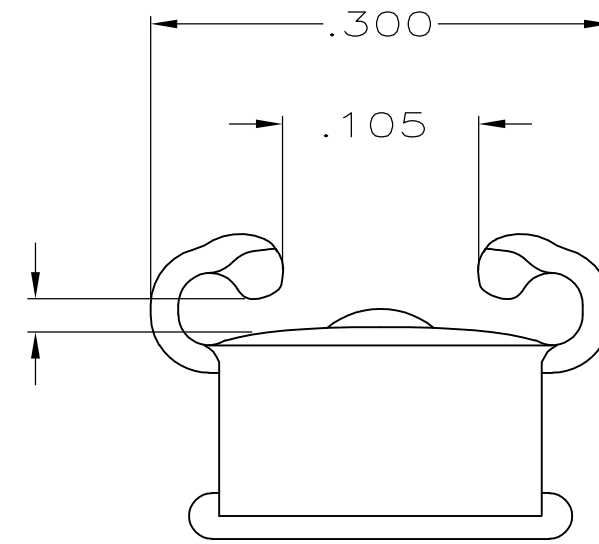
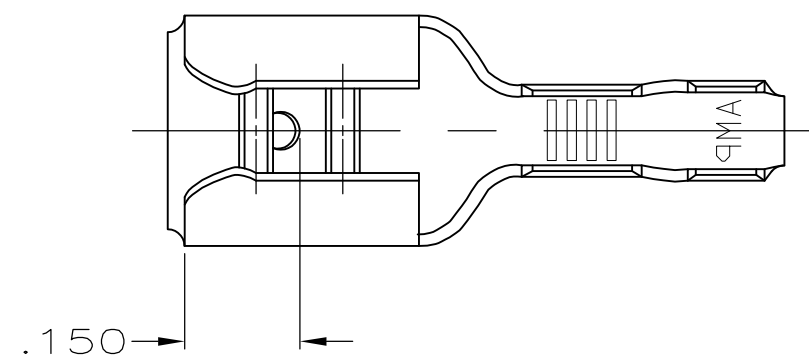


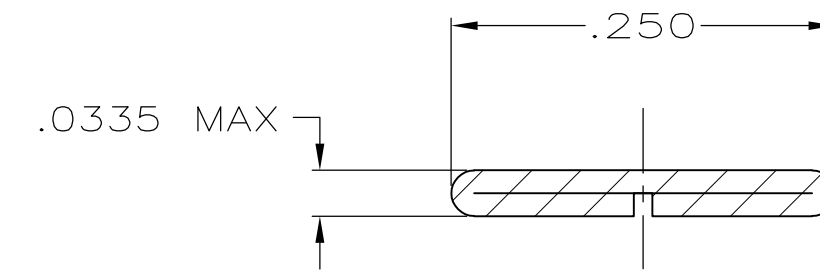
THIS DRAWING IS UNPUBLISHED. RELEASED FOR PUBLICATION  
 © COPYRIGHT - By - ALL RIGHTS RESERVED.

LOC		DIST		REVISIONS			
P	LTR	DESCRIPTION		DATE	DWN	APVD	
AF	50	A	REVISED PER ECR-12-013459		28NOV2012	KH	PD

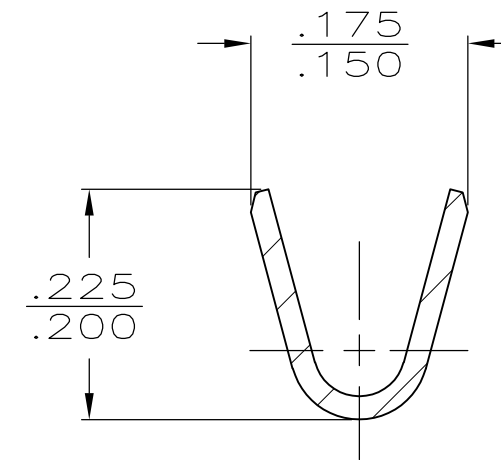
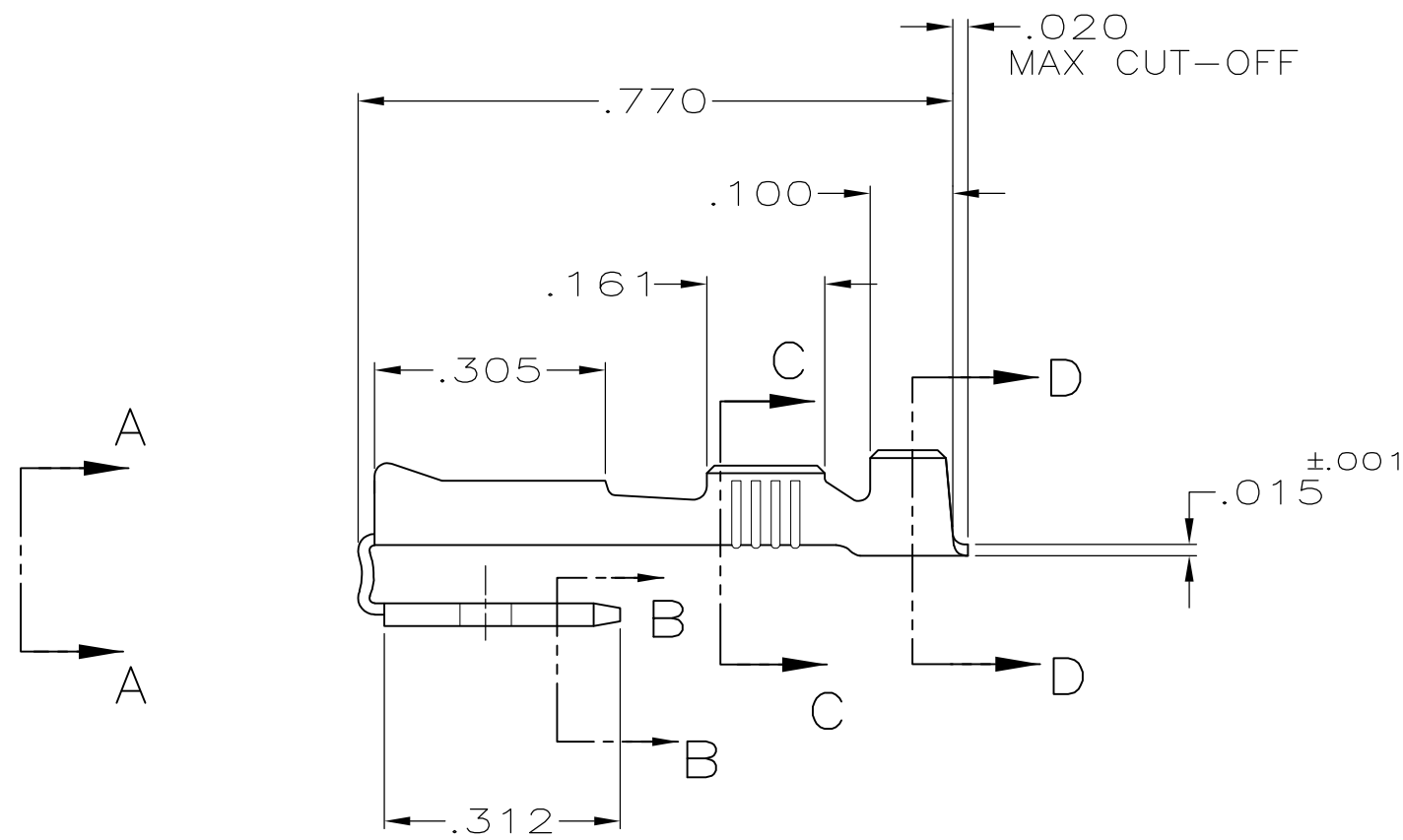
1 SUPPLIED IN LOOSE PIECE



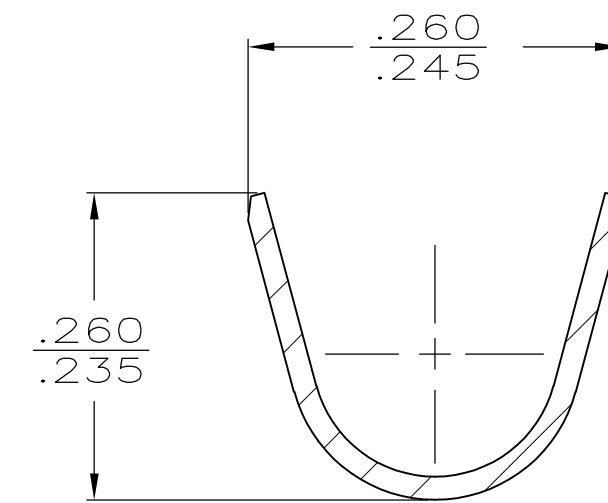
— FITS .250 SERIES FASTON TAB  
 VIEW A-A  
 SCALE 8:1



SECTION B-B  
 SCALE 8:1



SECTION C-C  
 SCALE 8:1



SECTION D-D  
 SCALE 8:1

62049-2	BRASS	.150-.200	14-10	.032	62090-1
STRIP	MATERIAL	INSULATION RANGE	WIRE SIZE	MATING TAB THK $\pm .001$	PART NO

THIS DRAWING IS A CONTROLLED DOCUMENT.		DWN JR RUTH 12/8/94																		
DIMENSIONS: INCHES		CHK MS FEHER 12/8/94																		
TOLERANCES UNLESS OTHERWISE SPECIFIED:		APVD P DESANTIS 12/8/94																		
<table border="1"> <tr><td>0 PLC</td><td>±</td><td>-</td></tr> <tr><td>1 PLC</td><td>±</td><td>-</td></tr> <tr><td>2 PLC</td><td>±</td><td>-</td></tr> <tr><td>3 PLC</td><td>±</td><td>.015</td></tr> <tr><td>4 PLC</td><td>±</td><td>-</td></tr> <tr><td>ANGLES</td><td>±</td><td>-</td></tr> </table>		0 PLC				±	-	1 PLC	±	-	2 PLC	±	-	3 PLC	±	.015	4 PLC	±	-	ANGLES
0 PLC	±	-																		
1 PLC	±	-																		
2 PLC	±	-																		
3 PLC	±	.015																		
4 PLC	±	-																		
ANGLES	±	-																		
MATERIAL SEE TABLE		FINISH TIN	PRODUCT SPEC -	APPLICATION SPEC -	WEIGHT -															
CUSTOMER DRAWING		SCALE 4:1	SIZE A2	CAGE CODE 00779	DRAWING NO 62090															
		SHEET 1 of 1	RESTRICTED TO -		REV A															